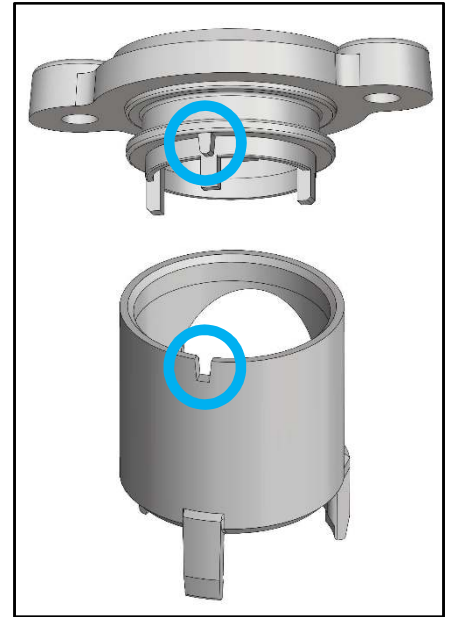


MONTAGE DW_HR

TECHNICAL IMPACT:

None

DESCRIPTION:



By adding a small rib on the Lid and a slot on the Bush no mistakes can be made when assembling these parts. Assembling these parts not in line is no longer possible.

